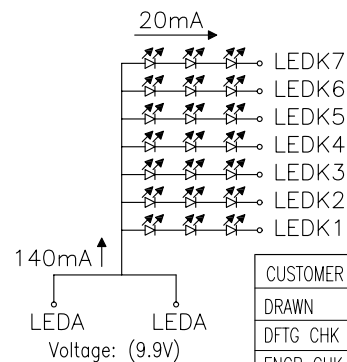


40 PIN FUNCTIONS							
1	U/D	11	Y1	21	G5	31	R3
2	NC	12	ADJ	22	G4	32	VSS
3	HSYNC	13	B5	23	G3	33	R2
4	VLED	14	B4	24	VSS	34	R1
5	VLED	15	B3	25	G2	35	R0
6	VLED	16	VSS	26	G1	36	X1
7	VCC	17	B2	27	G0	37	Y2
8	VSYNC	18	B1	28	VSS	38	DCLK
9	DE	19	B0	29	R5	39	VSS
10	X2	20	VSS	30	R4	40	L/R



Note:

- Brightness : 320 cd/m² (Typ.)
- 40 PIN Connector: JAE FA5B040HP1 or Equivalent.
- LED Connector: Molex: 54548-1071 or Equivalent.
- TP Connector: AMP 84952-4 or Equivalent.
- Tolerance is ±0.3 unless otherwise noted.
- For RoHS.

CUSTOMER APVL	CUSTOMER	DATE	TITLE
DRAWN	SCALE	MI0570ET-2	
DFTG CHK	UNIT	mm	
ENGR CHK	MODEL		
APPROVAL	DWG NO		PAGE
MULTI-INNO TECHNOLOGY CO.,LTD.			1/1